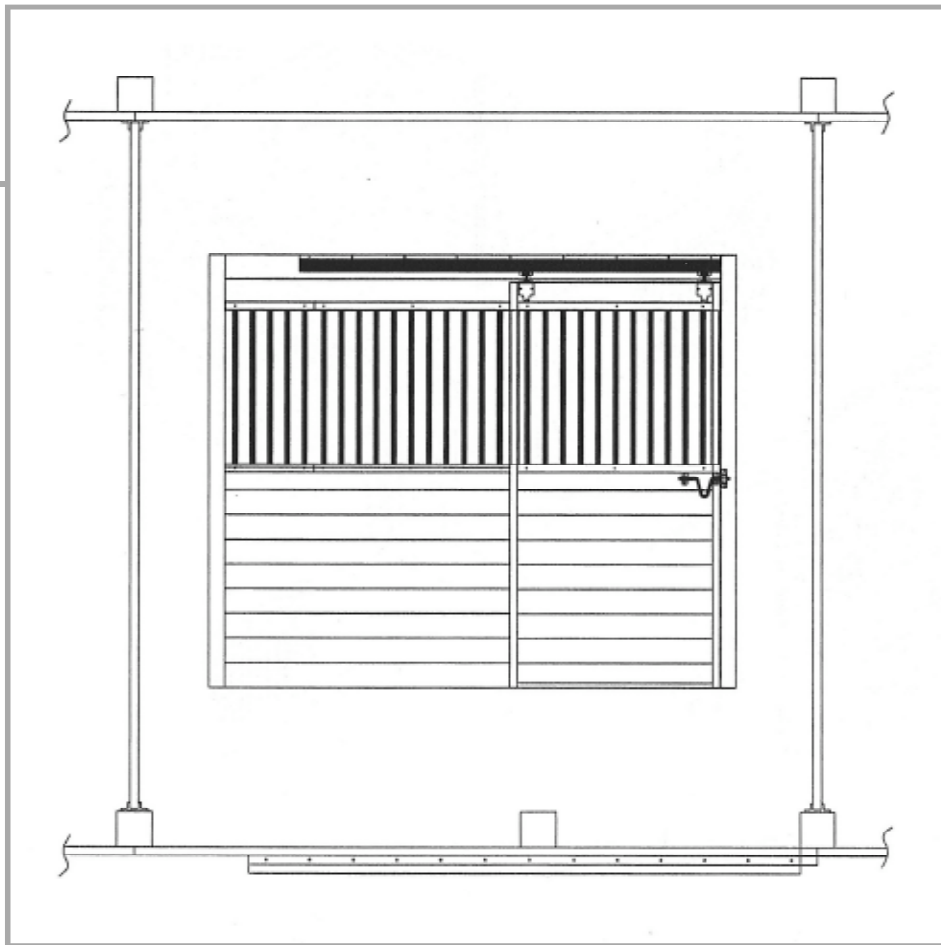


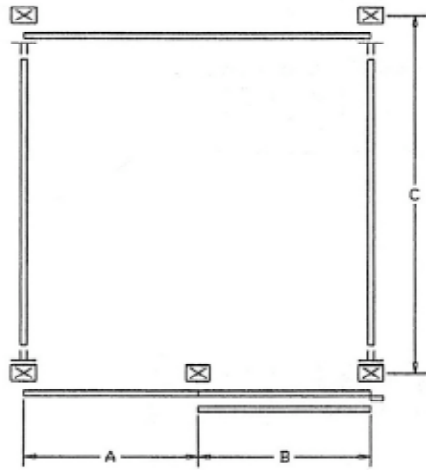


# THOROUGHBRED HORSE STALL

## Installation Instructions



*thoroughbred horse stall*



CENTER TO CENTER POST SPACING  
FOR TYPICAL SIZE STALLS

NOMINAL 10' x 10' STALL

A 6'  
B 4'  
C 10'

NOMINAL 10' x 12' STALL

A 6'  
B 4'  
C 12'

NOMINAL 12' x 12' STALL

A 8'  
B 4'  
C 12'

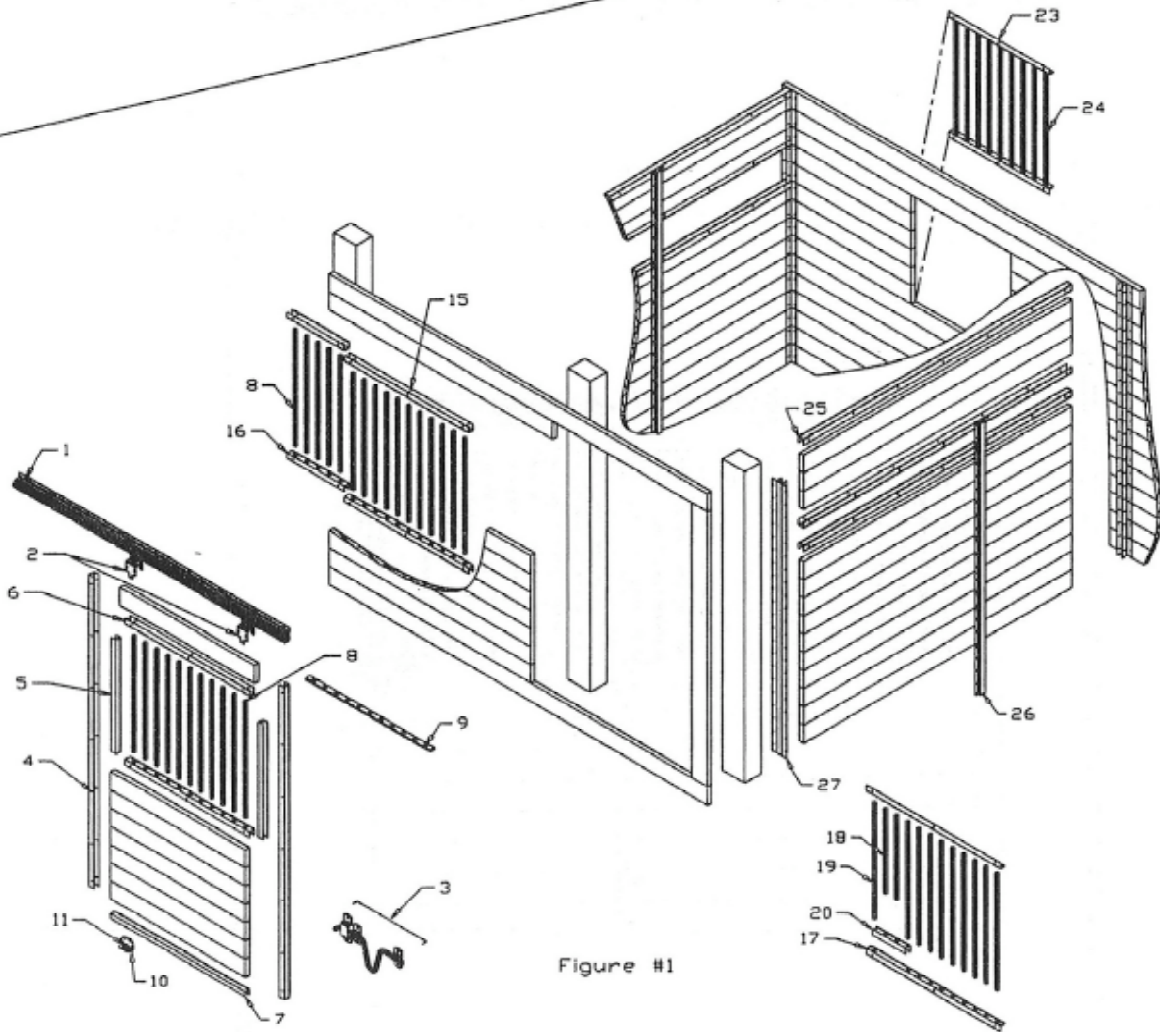


Figure #1

# THOROUGHBRED Horse Stall Parts List/Installation

## 1. Part No. 725781 Stall Door (Complete)

Finished Panel Size: 4' wide x 7' high

Package Includes:

| Item No. | Part No. | Description                      | Quantity |
|----------|----------|----------------------------------|----------|
| 1        | 646361   | Galvanized Weatherstrip Track    | 1        |
| 2        | 725706   | Stall Door Hangers (Trolleys)    | 1 pr.    |
| 3        | 725708   | Stall Door Latch                 | 1        |
| 4        | 725710   | Stall Door Side Rail             | 2        |
| 5        | 725713   | Stall Door Snap Cap              | 2        |
| 6        | 725779   | Stall Door Grille Rail           | 2        |
| 7        | 725780   | Stall Door Guide Rail            | 1        |
| 8        | 725787   | Stall Door Pole (29')            | 10       |
| 9        | 725791   | Foam Strip                       | 2        |
| 10       | *725751  | Stay Guide Bracket               | 1        |
| 11       | *725767  | Stall Stay Roller                | 1        |
| 12       | *110701  | 3/8-16 X 1-1/2 Hx. Hd. Cap Screw | 1        |
| 13       | *326637  | 3/8 Tensilock Nut                | 1        |
| 14       | *181101  | 10" 1-1/4 Flat Hd. Wood Screw    | 2        |

NOTE: (\*) Parts in No. 725774 Hardware Bag

## 2. Part No. 725782 Stall Door (Panel Only)

Finished Panel Size: 4' wide x 7' high

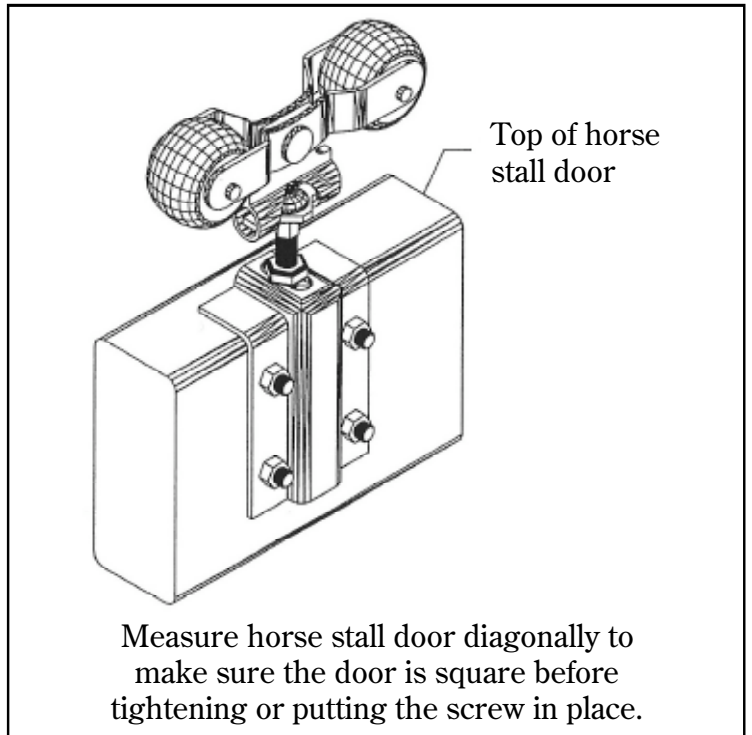
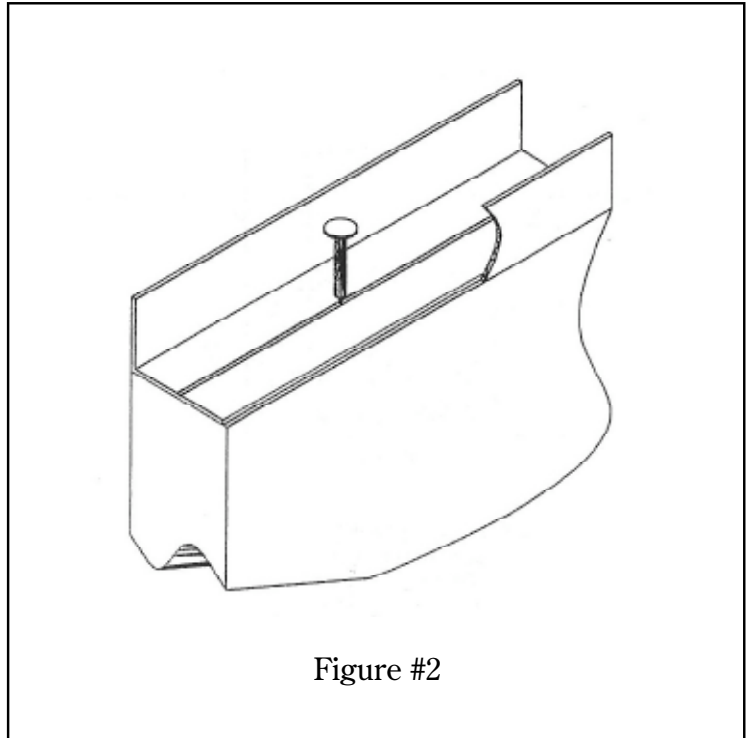
Package Includes:

| Item No. | Part No. | Description            | Quantity |
|----------|----------|------------------------|----------|
| 4        | 725710   | Stall Door Side Rail   | 2        |
| 5        | 725713   | Stall Door Snap Cap    | 2        |
| 6        | 725779   | Stall Door Grille Rail | 2        |
| 7        | 725787   | Stall Door Pole (29')  | 10       |
| 8        | 725791   | Foam Strip             | 2        |
|          | 728111   | Screws                 | 100      |

### Installation of Stall Door

- Lay door side rails (Item #4) on flat surface.
- Cut ten (10) 2x6x47-3/4" long boards.
  - Rip one (1) board to 4-1/2" and attach (Item #7) Door Guide Rail to edge. (See Figure #2).

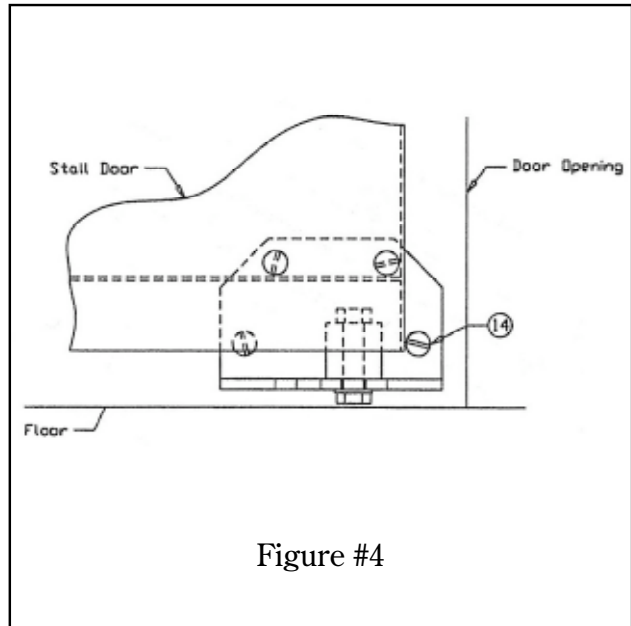
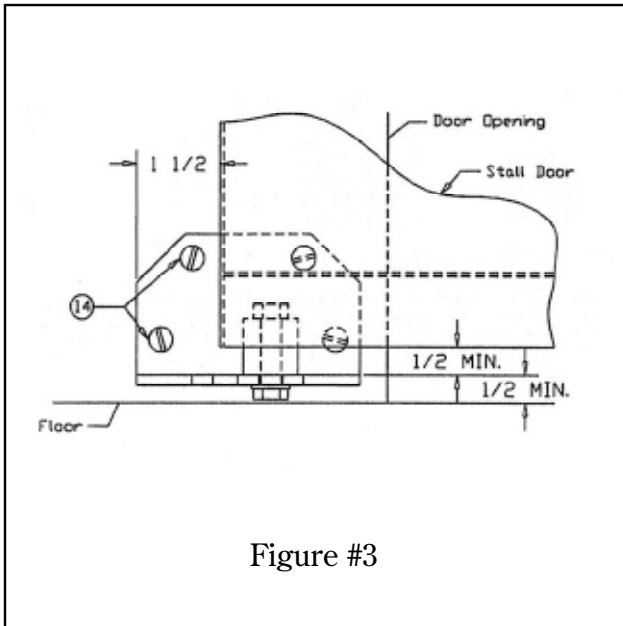
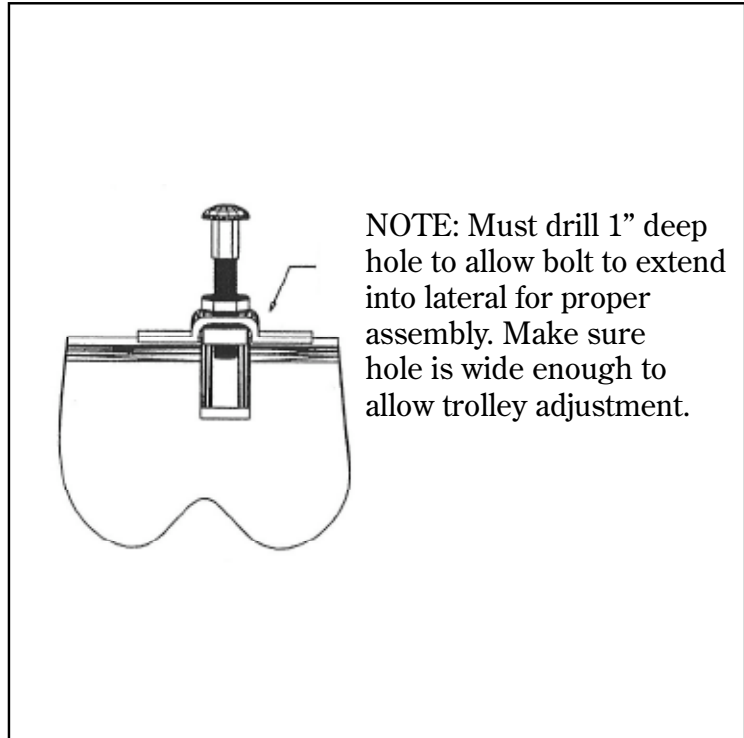
- c. Install (9) 2x6x47-3/4" including board with Door Guide Rail between Side Rails to make up the lower section of panel. NOTE: Bottom of Guide Rail MUST BE flush with bottom end of Side Rail.
- d. Install (Item #9 Foam Strip in (Item #6) Grille Rails. NOTE: Pull strip through rail from end - then align holes.
- e. Attach one (1) Grille Rail to top edge of lower panel section. (Refer to Figure #1).
- f. Insert (Item #8) Stall Door Pole. NOTE: Refer to Figure #1.
- g. Install second Grille Rail with foam strip on tops of poles.
- h. Install remaining 2x6x47-3/4" board into Side Rails and Top Grille Rail. NOTE: 2x6 MUST BE PUSHED TIGHT ONTO ENDS OF GRILLE POLES.
- i. Install Trolleys - When installing a trolley hanger to a horse stall door, the carriage bolts must be installed so that the bolt head faces the stall and the nut end faces the aisle. (1) Measure in 5-1/2" from outside edge of Door Rail (Item #4). Use Trolley Hanger Strap as drilling template.
- j. Install 2x4x8' Latch Side Jamb/Door Stop. Position flush with door opening.
- k. Install Stall Door Track (Item #1) as follows:
  - (1) Measure 9.5" up from top edge of grille rail (or 90" up from floor).
  - (2) Attach track - with end flush to 2x4 stop/jamb.
- l. Raise completed Door Panel and Insert Trolleys in Track.



- m. Stay roller must not touch the bottom of the stay guide.

Place door in fully closed position (figures show door at right end of stall). Install Stay Roller Bracket Assembly (Items 10 thru 13) and secure back half of bracket with two wood screws (Item #14) as shown in Figure 3.

Place door in fully open position. NOTE: Roller acts as stop for door in open position. Secure front half of bracket with one wood screw as shown in figure #4.



- n. Install Stall Door Latch (Item #3) approximately in the center of panel on the Side Jamb/Stop side.
- (1) Mark screw locations for latch bolt and strike with door closed.
  - (2) Drill pilot holes for screw and install.

### 3. Part No. 725783 4' Grille Section

Fills Stall Wall Opening: 4' wide x 29" high

Package Includes:

| Item No. | Part No. | Description           | Quantity |
|----------|----------|-----------------------|----------|
| 8        | 725787   | Stall Door Pole (29") | 12       |
| 9        | 725791   | Foam Strip            | 2        |
| 15       | 725765   | 4' Grille Rail        | 2        |
|          | 728111   | Screws                | 8        |

### 4. Part No. 725784 2' Grille Section

Fills Stall Wall Opening: 2' wide x 29" high

Package Includes:

| Item No. | Part No. | Description           | Quantity |
|----------|----------|-----------------------|----------|
| 8        | 725787   | Stall Door Pole (29") | 6        |
| 9        | 725791   | Foam Strip            | 1        |
| 16       | 725766   | 2' Grille Rail        | 2        |
|          | 728111   | Screws                | 8        |

### Installation 4' and 2' Grille Sections

- Install (Item #9) Foam Strip in (Item #15/16) 2'/4' Grille Rail. (Pull Strip through Rail - from end - then align holes.) NOTE: FOAM STRIP MUST BE CUT IN HALF FOR 2' GRILLE.
- Insert (Item #8) Stall Door Poles into Rail holes. (Refer to overall drawing of component Figure #1).
- Set Grille Assembly in place on bottom of Grille Opening.
- Set Top Plank of Grille Opening into Top Grille Rail. (SQUARE POLES).
- Attach grille Rails to Planks. NOTE: 2x6 MUST BE PUSHED TIGHT ONTO ENDS OF GRILLE POLES.

### 5. Part No. 725799 4' Feed Opening Package

Fills Stall Wall Opening: 4' wide x 29" high

NOTE: The feed opening height has been changed from 12" to 8". To convert to a 12" feed opening, cut poles (Item #18, #725797 Pole, 20.5") to 16.5" in length and redrill holes at 9".

Package Includes:

| Item No. | Part No. | Description           | Quantity |
|----------|----------|-----------------------|----------|
| 8        | 725787   | Stall Door Pole (29") | 8        |
| 9        | 725791   | Foam Strip            | 2        |
| 15       | 725765   | 4' Grille Rail        | 1        |
| 17       | 725764   | Feed Grille Rail      | 1        |
| 18       | 725797   | Pole (20.5")          | 2        |
| 19       | 725790   | Pole Drilled (29")    | 2        |
| 20       | 725796   | Feed Opening Bar      | 1        |
| 21       | 725798   | 1/4-20x5" Bolt        | 2        |
|          | 728111   | Screws                | 8        |

**Installation 4' Feed Opening Grille**

- a. Install Foam Strips (Item #9) in Top (Item #15) and Feed (Item #17) Grille Rail.
- b. Assemble Feed Opening Bar (Item #20) to Drilled Poles using 1/4-20x5" bolts.
- c. Push Poles into Grille Rails and assemble into Stall Wall as in Grille Instruction above.

**6. Part No. 725786 4' Window Grille Package**

Fills Stall Wall Opening: 36" wide x 24" high

Package Includes:

| Item No. | Part No. | Description | Quantity |
|----------|----------|-------------|----------|
| 23       | 725776   | Window Rail | 2        |
| 24       | 725788   | (24") Pole  | 9        |

**Installation of Window Grille**

- a. Install one (1) Window Rail (Item #23) in bottom of opening.
- b. Insert Poles (Item #24) in Bottom Rail.
- c. Assemble Top Window Rail to Poles and position Top Rail and Poles in Top of Opening. NOTE: RUN BEAD OF CAULK ON TOP AND BOTTOM OF WINDOW ROUGH OPENING. BEFORE INSTALLING GRILLE.

**7. Part No. 725756 Wall Cap Extrusion**

Fits over 2" Dimension Lumber (1-1/2") 10" Long (Item #25) Bulk Packed.

**Installation Wall Cap Extrusion (Item #25)**

- a. Cut to length required and attach to tops of walls, mangers, etc. (Refer to Figure #1 Stall Drawing).

**8. Part No. 725757 Stall Brace Extrusion**

Ties Wall Boards together (Item #26) 7' long, Bulk Packed.

**Installation Wall Brace (Item #26)**

- a. Cut to required length and attach vertically (Refer to Figure #1 Stall Drawing).

**9. Part No. 725741 Stall Wall**

For between Post Partition Construction (Item #27) 7' long, Bulk Packed.

**Installation Stall Wall Extrusion**

- a. Attach to Posts as shown.
- b. Slide Wall Planks into "T" slot.

|   |
|---|
| <p><b>NAIL/SCREW<br/>RECOMMENDATION</b></p> <p>Stall Doors - 2' and 4' Grilles<br/>Phillips Pan Head TEK's<br/>#10-16x3/4" - Self Drilling<br/>Screw</p> <p style="text-align: center;">OR</p> <p>11 ga.x1-1/4" Galvanized<br/>Roofing Nail</p> <p>Stall Window<br/>8d Galvanized Ring<br/>Shank Nail</p> |
|---|



---

555 Lawton Avenue, P.O. Box 835 | Beloit, Wisconsin 53512-0835  
Phone: 608-365-2161 | Fax: 608-365-4565 | Toll Free: 800-766-2825 | [www.cnbhnp.com](http://www.cnbhnp.com)