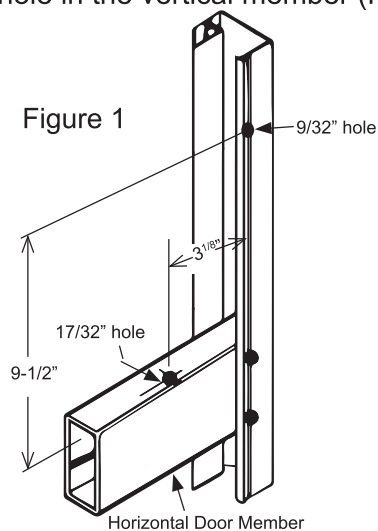




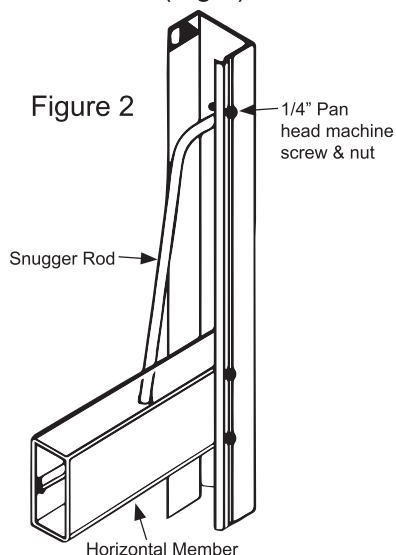
## Installation Instructions for 711200 Center Mounted Snugger

### Install on Metal Horizontals

1. Select a horizontal door member that is at a convenient height and drill one  $17/32$ " diameter hole as shown (Fig 1). Next, drill a  $9/32$ " diameter hole in the vertical member (Fig 1).



2. Slip the larger link on the end of the chain over the snugger rod and insert snugger rod into the  $17/32$ " hole that was drilled through the horizontal member in Step 1. Secure opposite end of snugger rod to vertical member using one  $1/4$ " fastener and nut (Fig 2).



3. Install the second half of the snugger rod in the other door repeating steps 1 and 2 except that no chain is put on the rod.
4. Attach the "S" hook to the chain.
5. To latch the two doors together, merely hook the "S" hook onto the snugger rod as shown in Fig 3. The more the door rattles, the tighter the latch becomes. After making certain the "S" hook is in the proper link (latched chain should be about 6" from top of horizontal member), close the "S" hook slightly so it will not become detached from chain.

