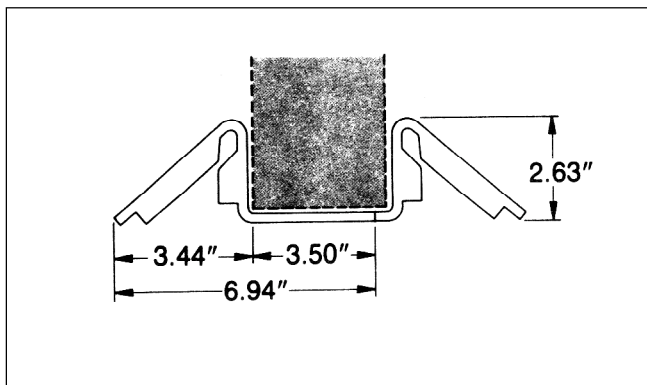
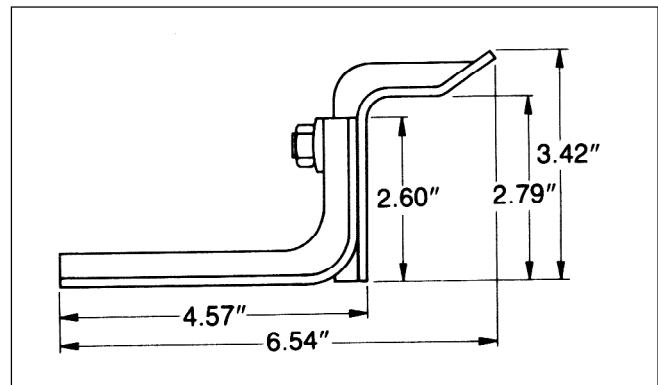
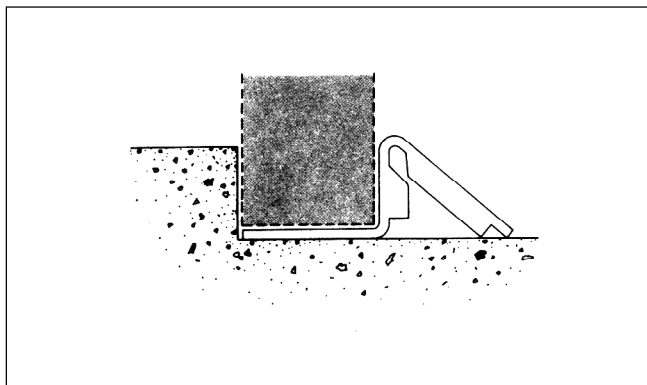
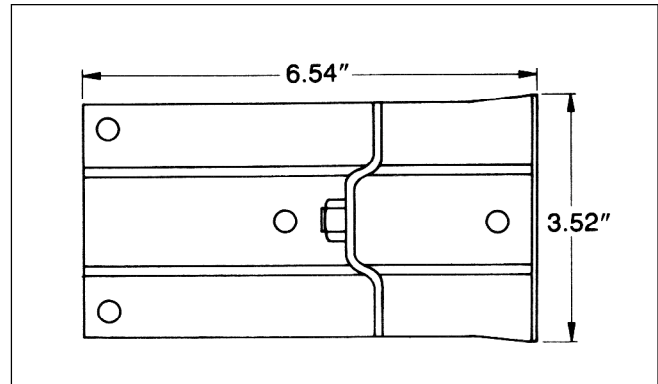
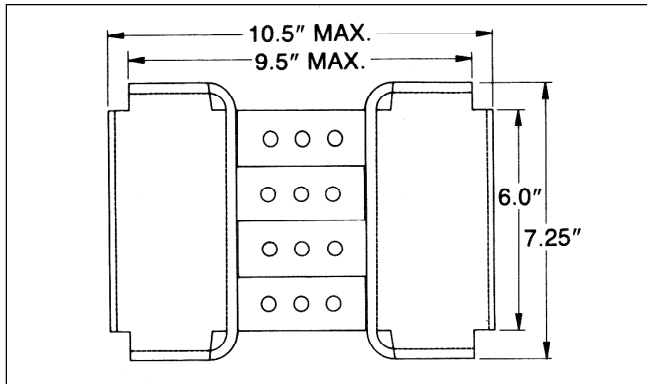


# SPECIFICATIONS

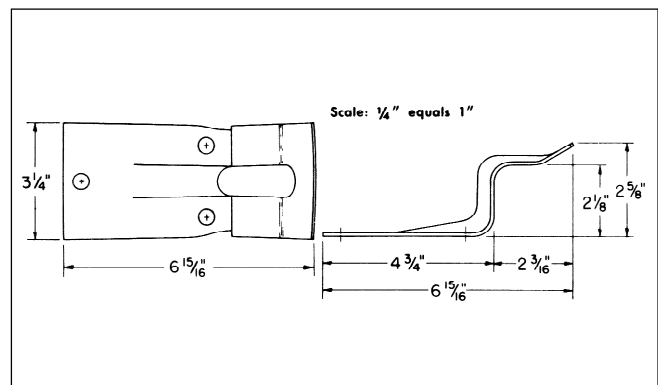
CB-11

## DOOR GUIDES AND STOPS FOR SLIDING DOORS



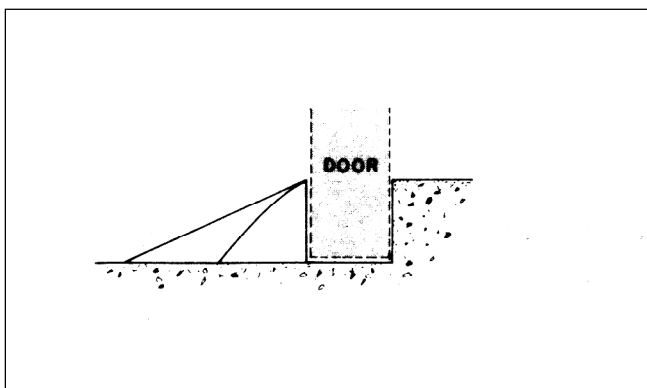
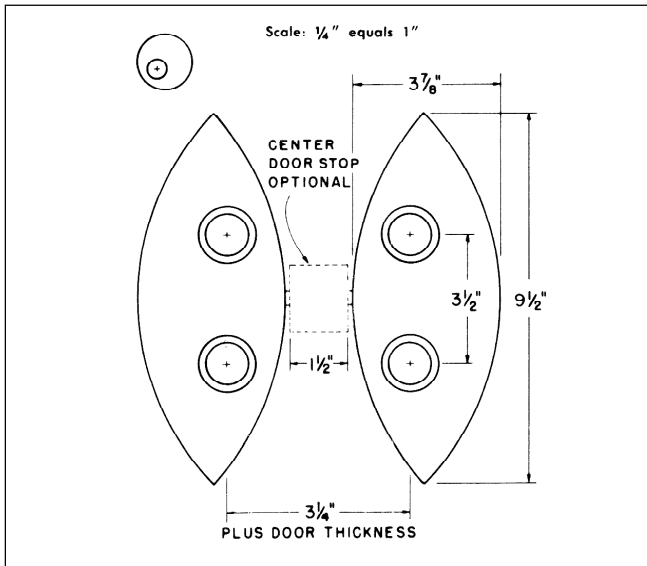
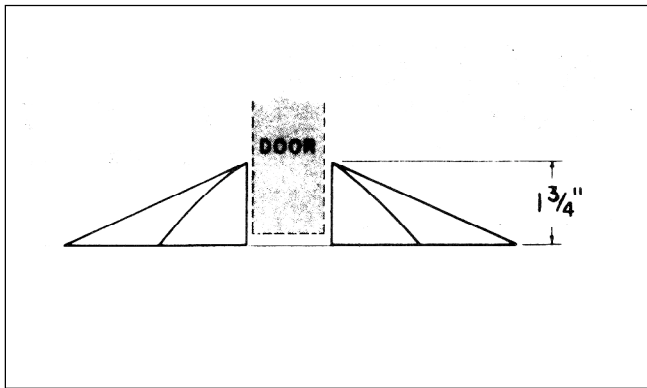
**710894 Adjust-A-Stop** — Adjustable stop for doors 2-3/4" to 4-1/4" in thickness. Recessed bolt head protects door finish. Lag bolts recommended for mounting. Heavy, 10-gauge, zinc-plated steel. Also available white vinyl-coated. (710899)

**710950** — Made of heavy zinc-plated steel with rounded corners for maximum protection against tire and livestock injury. Two required for center of double-leaf doors. Also 711228 Center Stop and Hold Down package. Designed to stop and give positive hold down protection against wind lifting doors out of guides. When used with 710950 Guide Half, makes complete door guide and stop package. Comes in plastic bag with bolt and nut.



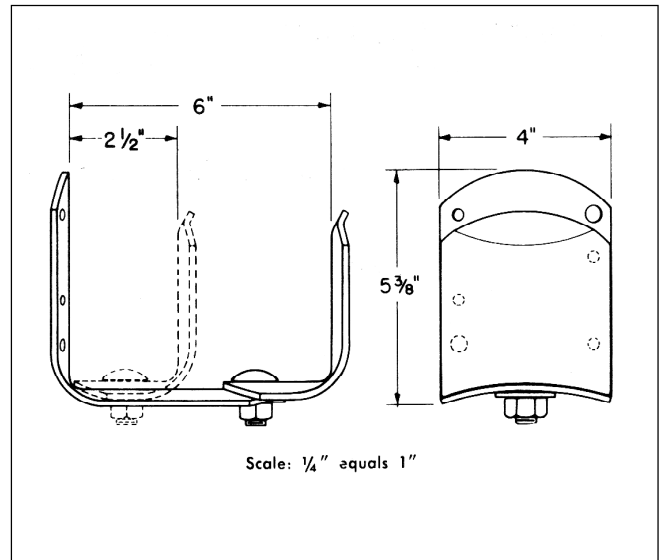
**643411 Giant Door Stop** — For doors up to 2-inches thick. Made of 10-gauge, pressed steel. Zinc-plated. Packed bulk. Weight 1.1 lb. each.





**652901 Center Door Guides** — Hold sliding doors in place. Beveled, cast-iron shape protects tires. Eccentric washers rotate to adjust for door thickness. Size 1-3/4" x 4" x 9-1/2". Gray finish. Packed bulk, less fasteners. Weight 2.7 lbs. each.

**652902 Center Door Stop** — For 652901 Door Guide. Packed bulk. Weight .3 lb. each.



**651403 Adjustable Door Guide or Stop** — Adjusts for sliding doors from 2-1/2" to 6-inches thick. Two-piece, 8-gauge, galvanized steel construction with 1/2 - 13 zinc-plated carriage bolt, washer and nut. Curved surface forms natural "lead-in" for door, provides rigid assembly when clamping bolt is tightly drawn and keeps mounting bolts or nails from interfering with door movement. Packed, bulk, unassembled. Weight 3 lbs. each.

**651404 Adjustable Door Guide or Stop** — Same as 651403 except white plastic coated to protect painted door components from being marred. Packed 20 per carton, assembled. Weight 3.2 lbs. each.