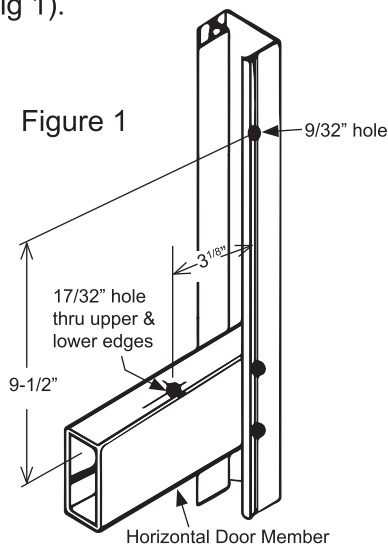




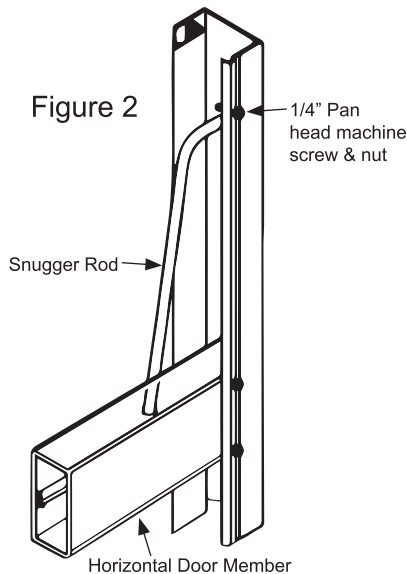
Installation Instructions for 711201 Side Mounted Snugger

Install on Metal Horizontals

1. Select a horizontal door member that is at a convenient height and drill one 17/32" diameter hole as shown (Fig 1). Next, drill one 9/32" diameter hole in the vertical door member as shown (Fig 1).



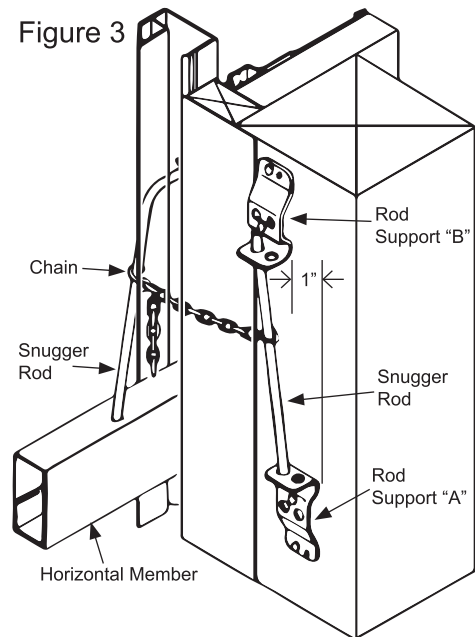
2. Insert snugger rod into the hole in the horizontal door member. Secure opposite end of the snugger rod to the vertical member using one 1/4" fastener and nut as shown (Fig 2).



3. Before installing the second half of the snugger to the face of the door jamb, close the door (door must have a center stop, or otherwise be held stationary).

Secure Rod Support "A" to door jamb so as to be level with the horizontal door member as shown in Fig 3. *NOTE: Rod support fasteners are NOT supplied.*

Slip large link on the end of the chain over the rod and insert rod into Rod Support "A". Put Rod Support "B" on opposite end of rod. Offset Rod Support "B" 1" from Rod Support "A" as shown (Fig 3). Secure support "B" to door jamb.



4. After making certain the "S" hook is in the proper link (latched chain should be about 6" from top of horizontal member) close the "S" hook slightly so it will not become detached from chain.

Install on Wood Horizontals

1. Select a horizontal door member that is at a convenient height and drill one 9/32" diameter hole in the vertical member as shown (Fig 4).
2. Slip Rod Support on straight end of snugger rod and properly position assembly to determine proper location of rod support. Fasten rod support with 2 ring nails as shown in Fig 4.

Slip the large link on the end of the chain over the snugger rod and insert snugger rod into the rod support. Secure the opposite end to vertical member using one 1/4" fastener and nut as shown in Fig 4.

3. Before installing the second half of the snugger to the face of the door jamb, close the door (Door must have a center stop, or otherwise be held stationary).

Secure Rod Support "A" to door jamb so as to be level with the horizontal door member as shown in Fig 5. *NOTE: Rod support fasteners are NOT supplied.*

Slip large link on the end of the chain over the rod and insert rod into Rod Support "A". Put Rod Support "B" on opposite end of rod. Offset Rod Support "B" 1 inch from Rod Support "A" as shown in Fig 5. Secure support "B" to door jamb.

4. After making certain the "S" hook is in the proper link (latched chain should be about 6" from top of horizontal member), close the "S" hook slightly so it will not become detached from chain.

