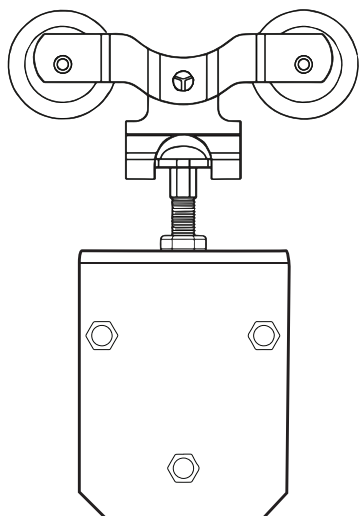




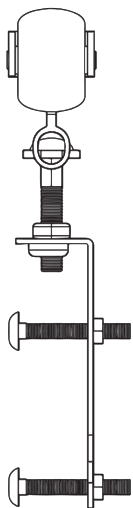
Installation Instructions for Single Strap Trolleys

643427 Steel Wheel | 711221 Delrin Wheel

1. Bore a 7/8" hole 1-1/4" on center from the top of door. Assemble parts so trolley resembles Front/Side View A below. Fit this assembly snugly to top of door and while firmly in place, locate and drill bolt holes through holes in face of strap. Bolt the assembly to door.
2. Attach truck, mount door track & hang door. Make vertical / lateral adjustments and adjust hex jam nut.



Front / Side View A



Assembled Trolley Reference Image



Assembled Trolley Reference Image

Lateral (in / out) Adjustments:

1. Loosen hex jam nut slightly before making adjustment.
2. Tap lightly on outside of door to move door towards building.
3. Tap lightly on inside of door to move door away from building.

NOTE: No hammer would be needed on light doors or doors wedged up to reduce weight on trolleys.

